

FIG. 2

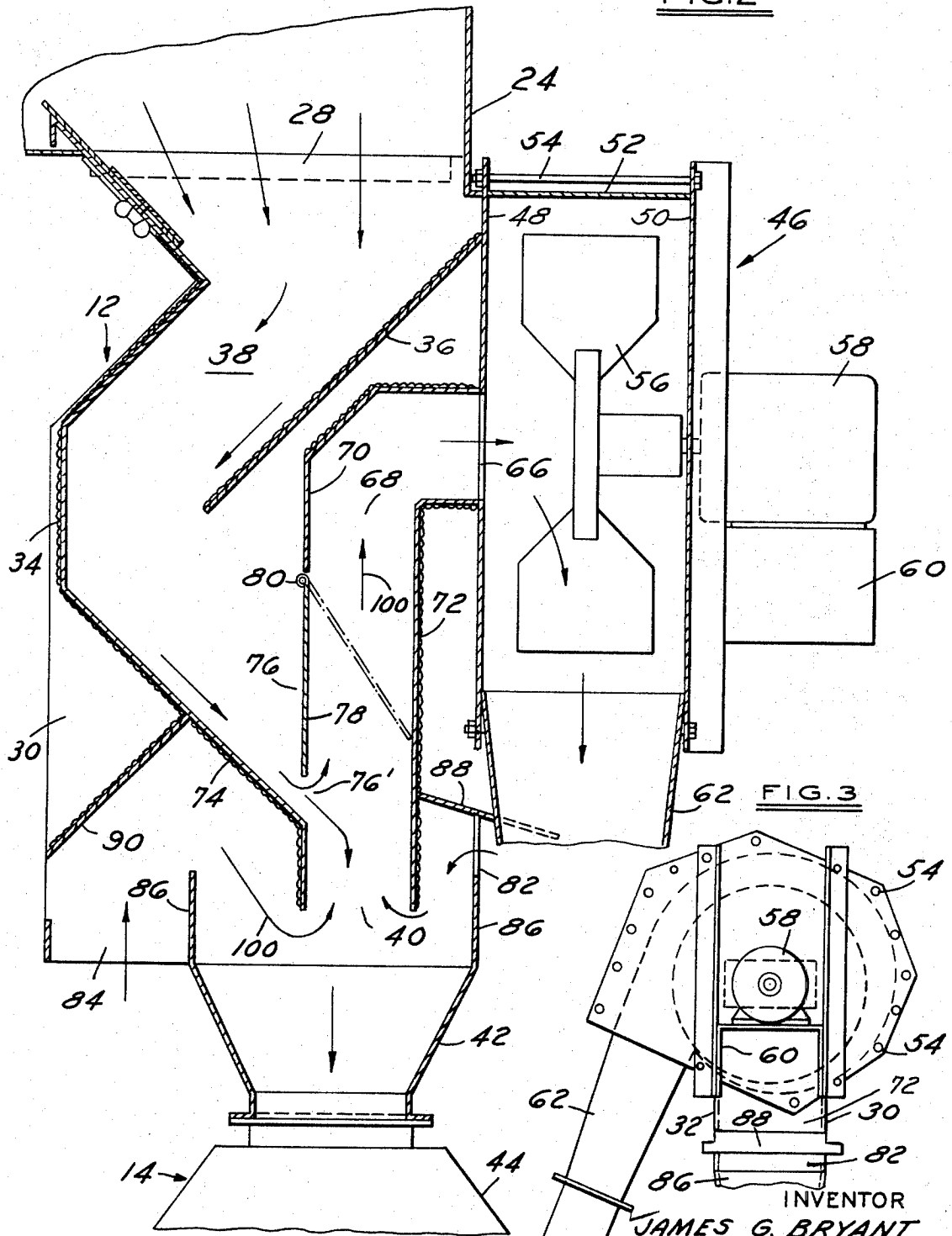
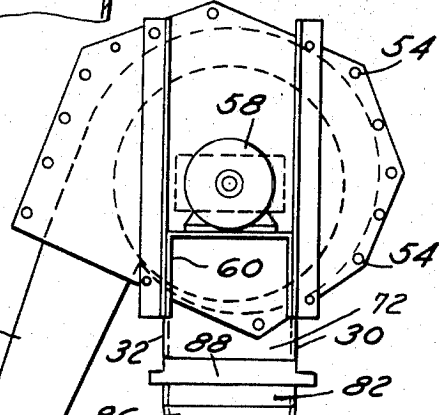


FIG. 3



INVENTOR  
JAMES G. BRYANT  
BY  
*Barnes, Kisselle,  
Raisch & Choate*  
ATTORNEYS